

# IN LINE GUN

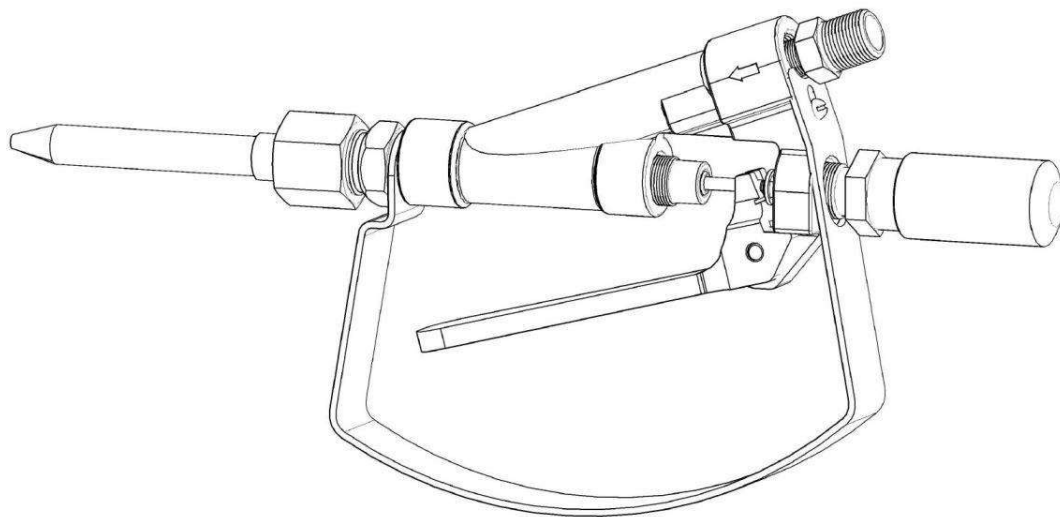
2018.03.12 REV4

**Forging Aluminum alloy Body**

**The Leather V-packing included with the gun**

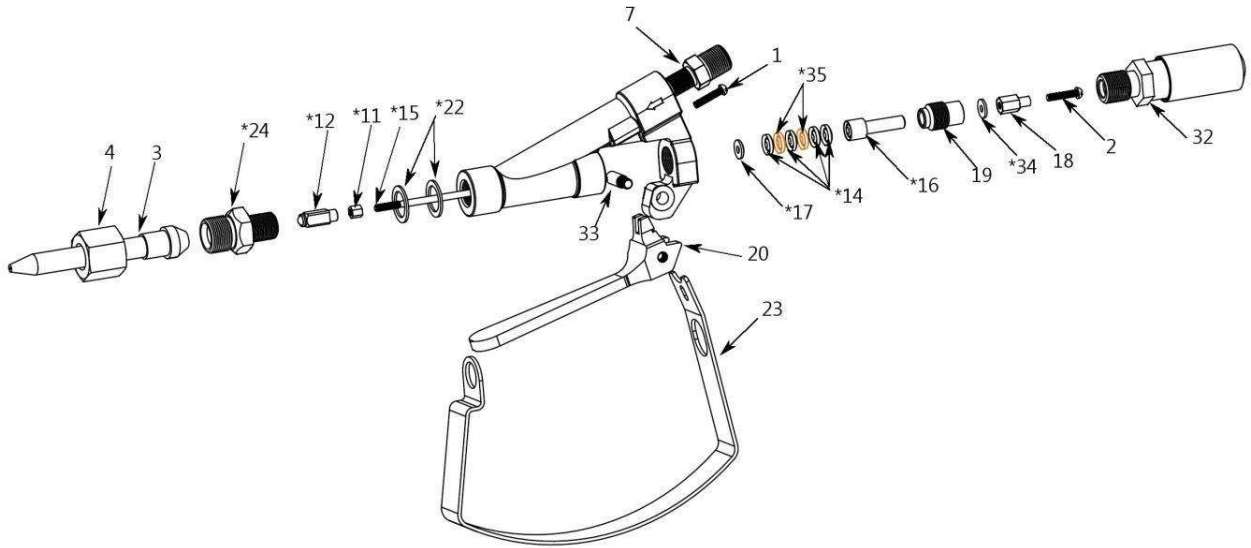
*5000 psi (345 bar) Maximum Working Pressure Fluid Inlet 1/4nps*

**MODEL G740-000**



**DSTech Co., LTD.**  
#1461-2, Songjung-dong, Gangseo-gu,  
Busan, Korea (618-817)  
Tel: 82-51-207-8006  
Fax: 82-51-207-8831  
[www.dstpump.com](http://www.dstpump.com)

# Parts





No	Code	Description	Qty	No	Code	Description	Qty
1	G730-001	Screw	1	18	G730-018	NUT	1
2	G730-002	Cap Screw	1	19	G730-019	SCREW	1
3	G740-003	Nozzle 1mm	1	20	G730-020	HANDLE	1
4	G740-004	Joint nut	1	21	G730-021	BODY	1
7	G730-007	Nipple	1	22	G730-022	GASKET (copper)	2
11	G730-011	NUT	1	23	G730-023	GUARD	1
12	G740-012	Needle	1	24	G740-024	VALVE SEAT	1
14	G730-014	V-Packing	4	32	G730-032	SAFETY KNOB	1
15	G740-015	ROD	1	33	G730-033	SCREW	1
16	G730-016	GLAND (F)	1	34	G730-034	WASHER	1
17	G730-017	GLAND (M)	1	35	G730-035	V-PACKING(LEATHER)	2

These parts are included in repair kit which may be purchased separately.

## Repair kit D code **G740-500**

included (12, 14, 15, 16, 17, 22, 24, 34, 35)

<p><b>POLE GUN NOZZLE</b></p> 	<table border="1"> <thead> <tr> <th>No</th> <th>D Code</th> <th>Description</th> </tr> </thead> <tbody> <tr> <td>1</td> <td>G730-600</td> <td>GUN NOZZLE</td> </tr> </tbody> </table>	No	D Code	Description	1	G730-600	GUN NOZZLE			
No	D Code	Description								
1	G730-600	GUN NOZZLE								
<p><b>SAFETY KNOB</b></p> 	<table border="1"> <thead> <tr> <th>No</th> <th>D Code</th> <th>Description</th> </tr> </thead> <tbody> <tr> <td>1</td> <td>G730-032</td> <td>350 BAR SAFETY KNOB</td> </tr> <tr> <td>2</td> <td>G730-042</td> <td>250 BAR SAFETY KNOB</td> </tr> </tbody> </table>	No	D Code	Description	1	G730-032	350 BAR SAFETY KNOB	2	G730-042	250 BAR SAFETY KNOB
No	D Code	Description								
1	G730-032	350 BAR SAFETY KNOB								
2	G730-042	250 BAR SAFETY KNOB								