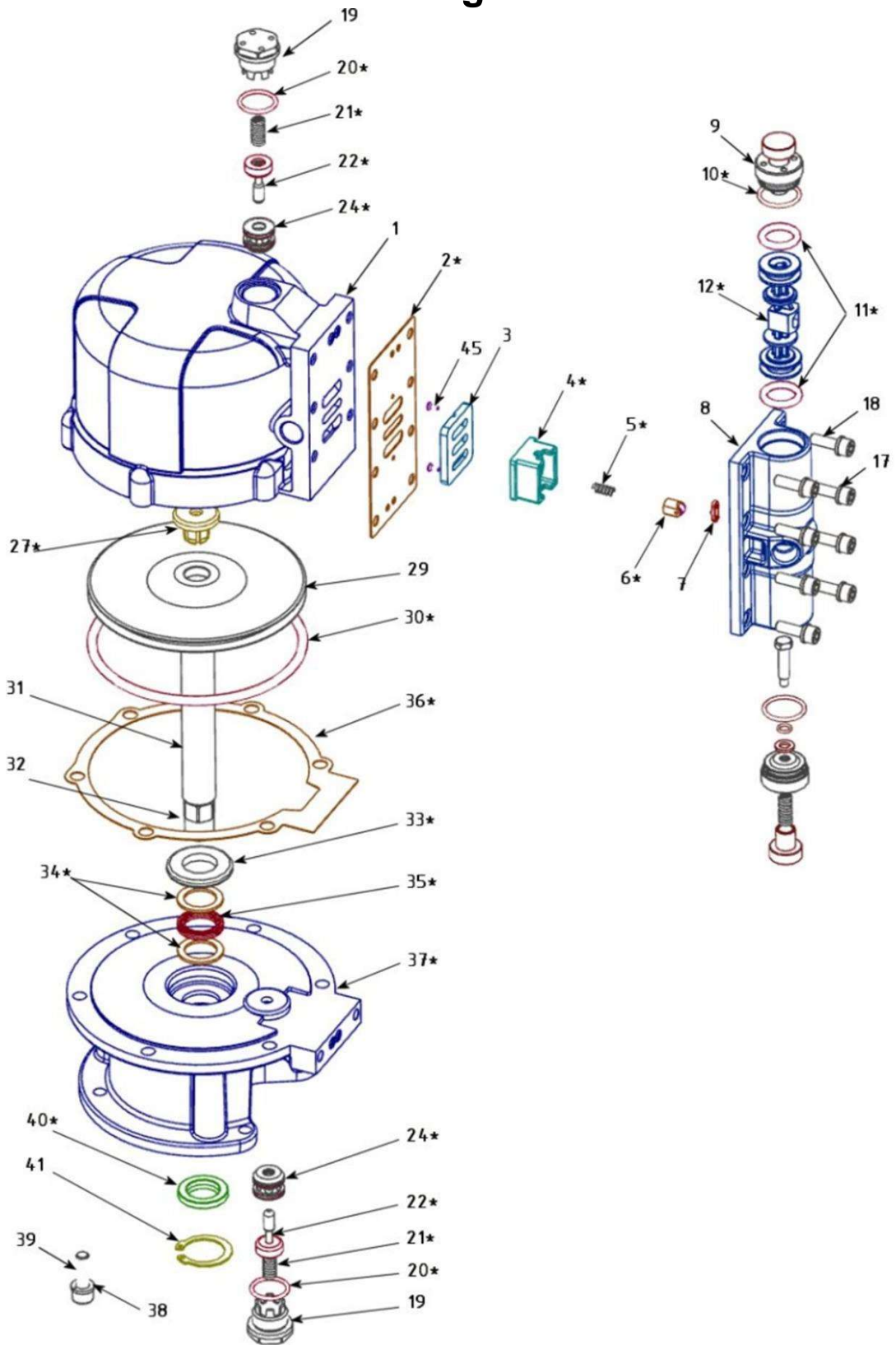


# **DSTech**

# **MANUAL**

# N165-100 Air Motor Part Drawing



# Parts

No	D Code	Description	Qty	No	D Code	Description	Qty
1	N165-001	CYLINDER	1	24	N165-024	VALVE HOUSING ASS'Y	2
2	N165-002	GASKET, piston housing	1	27	N165-027	PISTON PAD	1
3	N165-003	VALVE PLATE	1	29	N165-029	PISTON PLATE	1
4	N165-004	PISTON VALVE	1	30	N165-030	O-RING, piston	1
5	N165-005	Compression SPRING	1	31	N165-031	PISTON PIPE	1
6	N165-006	ROLLER ASS'Y	1	32	N165-032	STUD	1
7	N165-007	BLOCK	1	33	N165-033	PAD, base	1
8	N165-008	PISTON VALVE HOUSING	1	34	N165-034	GASKET	2
9	N165-009	HOUSING PLUG ASS'Y	2	35	N165-035	U-PACKING	1
10	N165-010	O-RING	2	36	N165-036	MOTOR GASKET	1
11	N165-011	O-RING, piston	2	37	N165-037	BASE	1
12	N165-012	PISTON VALVE	1	38	N165-038	SPRING WASHER	6
17	N165-017	SPRING WASHER	8	39	N165-039	BOLT	6
18	N165-018	BOLT	8	40	N165-040	SEAL, base	1
19	N165-019	VALVE CAP	2	41	N165-041	SNAP RING	1
20	N165-020	VALVE CAP O-RING	2	43	N270-043	NAME PLATE	2
21	N165-021	Compression SPRING	2	45	N270-045	RIVET, name plate	2
22	N165-022	STEM, valve ASS'Y	2				

Note : part marked in color are the spare parts

PART NO 2, 4, 5, 6, 10, 11, 12, 27, 30, 33, 34, 35, 40,  
Included in AIRMOTOR **Repair KIT No N165-500**

PART NO 20, 21, 22, 24  
Included in CHECK VALVE **Repair KIT No N165-501**

# REPAIR INSTRUCTIONS

2018.05.04 Rev 5

*PAT NO. 10-2014-0047957, 30-2014-0017906, 30-2014-0015351, 30-2013-0019993,  
30-0735073, 30-2013-0019997, 10-2013-0041479, 10-1310083,*

## **N165 type Air Motor, Displacement Sprayer**

**Part No.N165-X281, 28:1 Ratio (135cc)**

*2900 psi (200 bar) Maximum Fluid Working Pressure*

**Part No.N165-X351, 35:1 Ratio (107cc)**

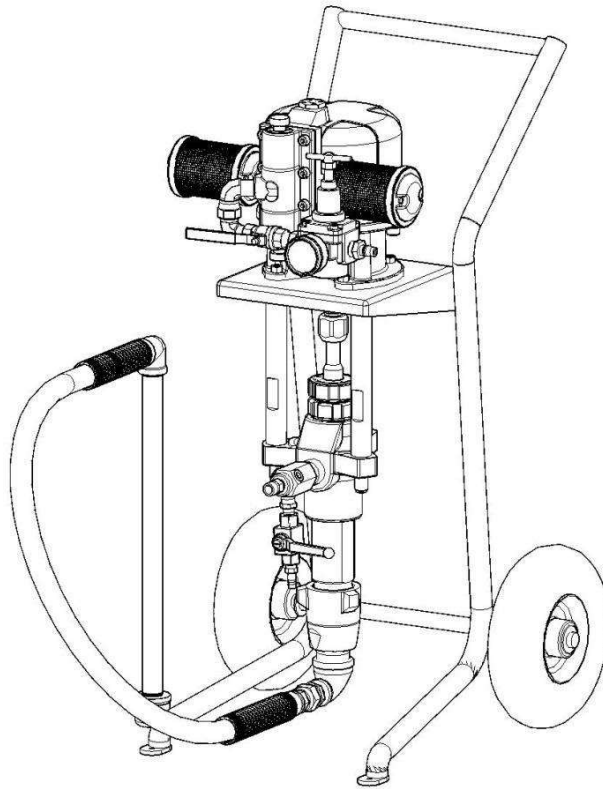
*3625 psi (250 bar) Maximum Fluid Working Pressure*

**Part No.N165-X441, 44:1 Ratio (87cc)**

*4350 psi (300 bar) Maximum Fluid Working Pressure*

**Part No.N165-X601, 60:1 Ratio (64cc)**

*6090 psi (420 bar) Maximum Fluid Working Pressure*



**DSTech Co., LTD.**

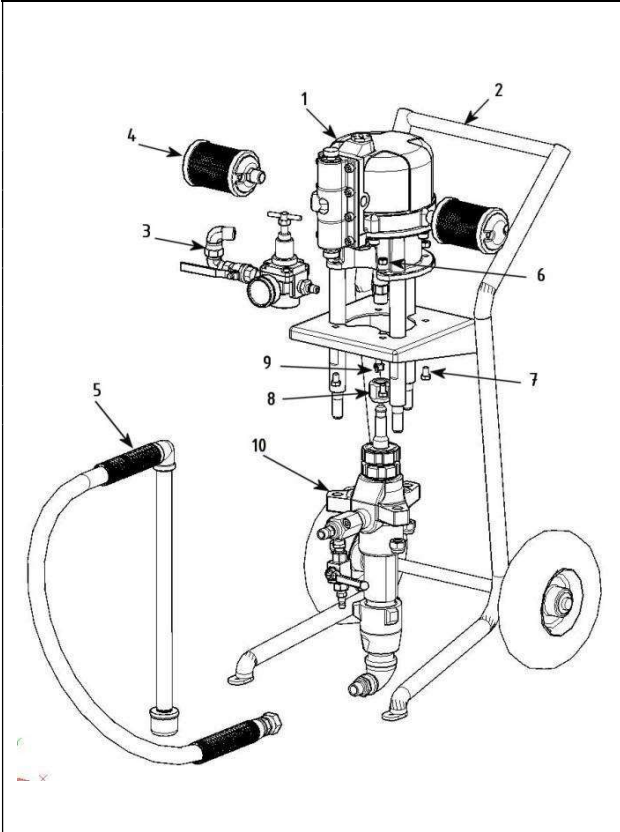
**#1461-2, Songjung-dong, Gangseo-gu,  
Busan, Korea (618-817)**

**Tel: 82-51-207-8006**

**Fax: 82-51-207-8831**

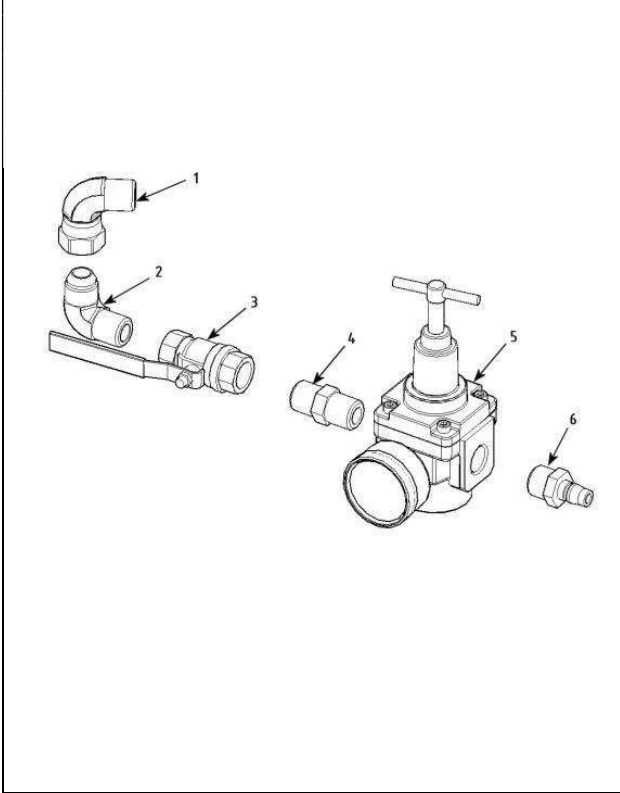
**www.dstpump.com**

# Parts drawing and Parts List



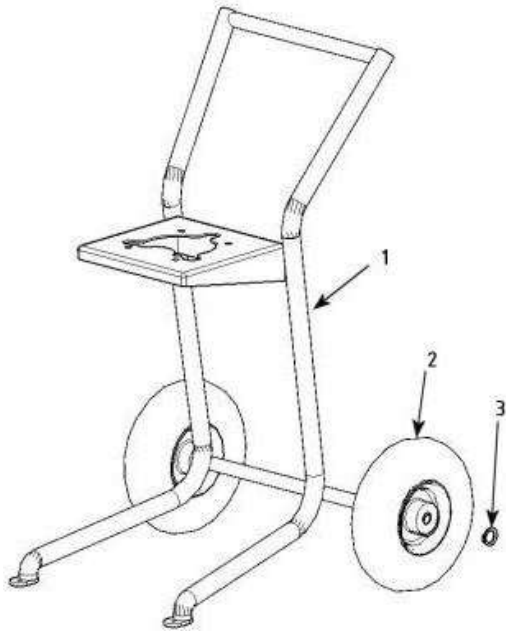
NO	D CODE	DESCRIPTION	QTY
1	N165-Xxxx-1	BARE	1
2	N165-400	CART	1
3	N165-300	AIR REGULATOR KIT	1
4	N165-800	MUFFLER	2
5	S300-500	SUCTION HOSE ASS'Y	1
6	N165-601	BOLT	4
7	N165-701	NUT	4
8	2K1-135	NUT, coupling	1
9	2k1-136	COLLER	2
10	NXXX-100	PUMP, DISPLACEMENT	1

## N165-300 AIR REGULATOR KIT



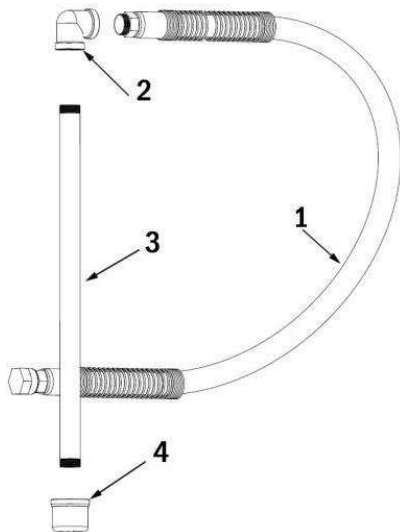
No	D Code	Description	Qty
1	N165-301	UNION ELBOE JOINT	1
2	N165-302	HOSE ELBOW	1
3	N165-303	BALL VALVE	1
4	N165-304	NIPPLE	1
5	N165-305	REGULATOR	1
6	N165-306	AIR COUPLER	1

## N165-400 CART



No	D Code	Description	Qty
1	N165-401	CART	1
2	P300-202	TIRE	2
3	P300-203	SNAP RING	2

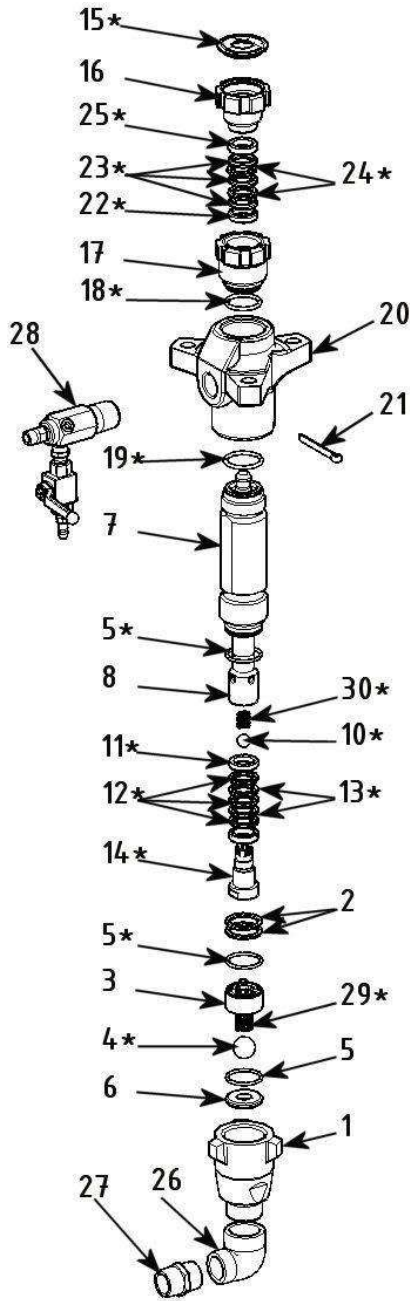
## S300-500 SUCTION HOSE ASS'Y



No	D Code	Description	Qty
1	P300-501	SUCTION HOSE	1
2	P300-502	ELBOW	1
3	P300-503	SUCTION TUBE	1
4	P300-504	STRAINER	1

# Parts drawing and Parts List

## NX281-100 (135CC)



Note : part marked in color are the spare parts

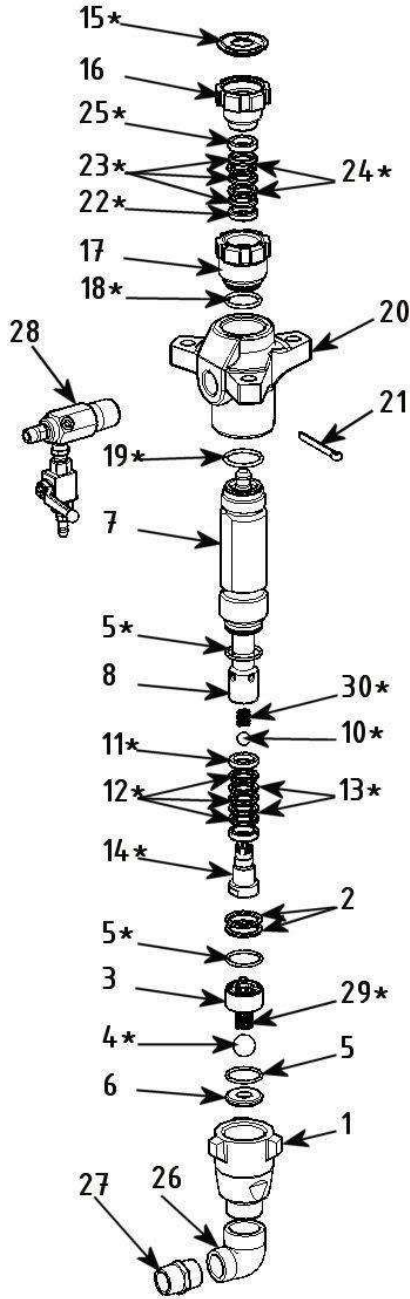
No	D Code	G Code	Description	Qty
1	X681-001	197303	HOUSING , Inlet	1
2	X681-002	244855	SHIM	3
3	X681-003	198648	BALL GUIDE	1
4	X681-004	253031	BALL	1
5	X681-005	244890	PACKING ,O-RING	3
6	X681-006	196358	SEAT	1
7	X681-007	197316	CYLINDER	1
8	X281-008	197321	DISPLACEMENT ROD	1
9	X681-009	197310	PISTON VALVE	1
10	X681-010	253029	BALL	1
11	X681-011	244858	GLAND-M	1
12	X681-012	244858	PACKING-V(UHMWPE)	3
13	X681-013	244870	PACKING-V(Leather)	2
14	X681-014	244876	GLAND-F	1
15	X681-015	244966	SEAL	1
16	X681-016	198330	PACKING NUT	1
17	X681-017	197326	NUT	1
18	X681-018	244890	PACKING , O-RING	1
19	X681-019	244892	PACKING, O-RING	1
20	X281-020		HOUSING	1
21	X120-021		PIN	1
22	X681-011	244858	GLAND-M	1
23	X681-012	244858	PACKING-V(UHMWPE)	3
24	X681-013	244870	PACKING-V(Leather)	2
25	X681-014	244876	GLAND-F	1
26	X120-026		TUBE	1
27	X120-027		NIPPLE	1
28	X120-028		NIPPLE	1
29	X120-029		SEAT SPRING	1
30	X120-030		PISTON SPRING	1

REPAIR KIT No: X281-500 (244-851)

With 4, 5, 10, 11, 12, 13, 14, 15, 18, 19, 21, 22, 23, 24, 28, 29

# Parts drawing and Parts List

## NX351-100 (107CC)



Note : part marked in color are the spare parts

No	D Code	G Code	Description	Qty
1	X681-001	197303	HOUSING , Inlet	1
2	X681-002	244855	SHIM	3
3	X681-003	198648	BALL GUIDE	1
4	X681-004	253031	BALL	1
5	X681-005	244890	PACKING ,O-RING	3
6	X681-006	196358	SEAT	1
7	X831-007	197315	CYLINDER	1
8	X351-008	197320	DISPLACEMENT ROD	1
9	X831-009	197309	PISTON VALVE	1
10	X681-010	253029	BALL	1
11	X831-011	244881	GLAND-M	1
12	X831-012	244863	PACKING-V(UHMWPE)	3
13	X831-013	244869	PACKING-V(Leather)	2
14	X831-014	244875	GLAND-F	1
15	X681-015	244966	SEAL	1
16	X831-016	15K030	PACKING NUT	1
17	X831-017	197325	NUT	1
18	X681-018	244890	PACKING , O-RING	1
19	X681-019	244892	PACKING, O-RING	1
20	X281-020		HOUSING	1
21	X120-021		PIN	1
22	X831-011	244881	GLAND-M	1
23	X831-012	244863	PACKING-V(UHMWPE)	3
24	X831-013	244869	PACKING-V(Leather)	2
25	X831-014	244875	GLAND-F	1
26	X120-026		TUBE	1
27	X120-027		NIPPLE	1
28	X120-028		NIPPLE	1
29	X120-029		SEAT SPRING	1
30	X120-030		PISTON SPRING	1

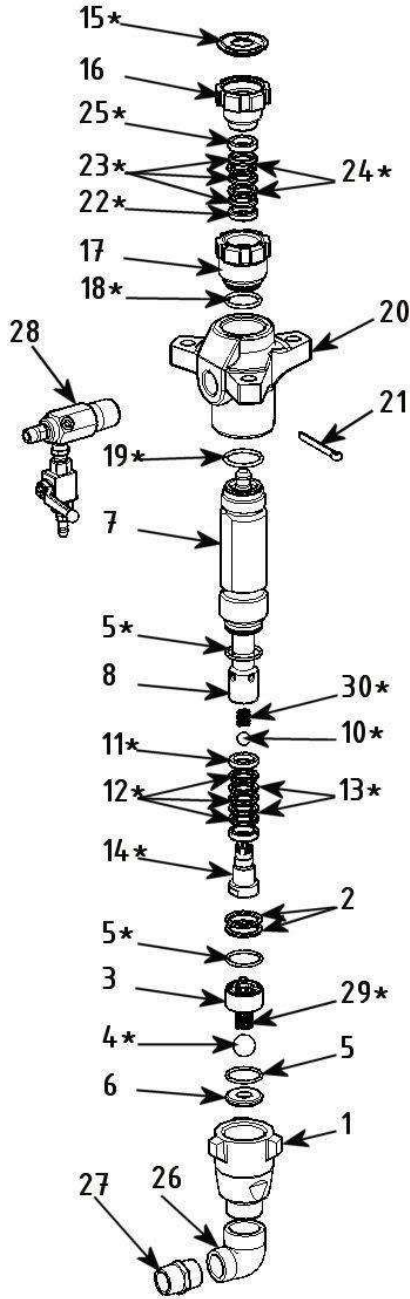
REPAIR KIT No: X351-500 (244-850)

With 4, 5, 10, 11, 12, 13, 14, 15, 18, 19, 21, 22, 23, 24, 28, 29



# Parts drawing and Parts List

**NX441-100 (87CC)**



**Note : part marked in color are the spare parts**

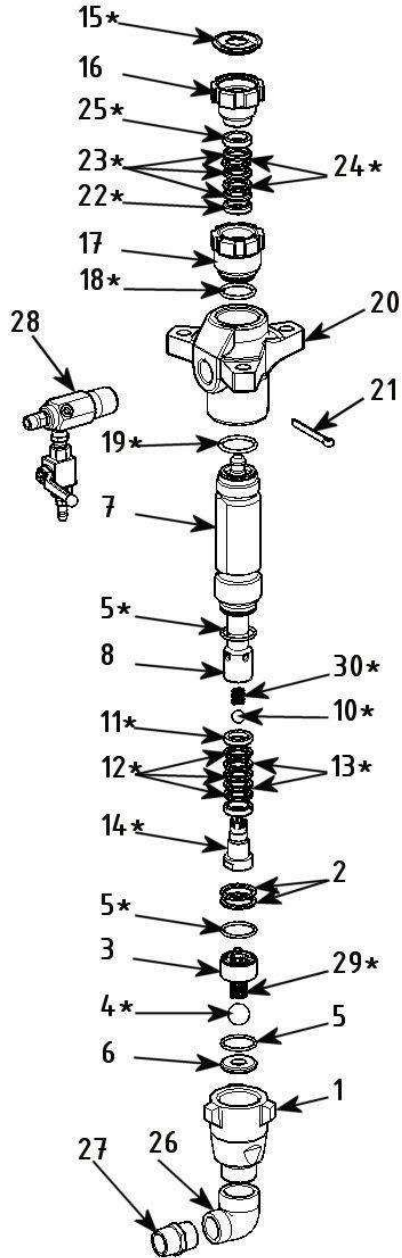
No	D Code	G Code	Description	Qty
1	X120-001	15F667	HOUSING , Inlet	1
2	X120-002	288064	SHIM	2
3	X120-003	16D472	BALL GUIDE	1
4	X120-004	244988	BALL	1
5	X120-005	288068	PACKING ,O-RING	3
6	X120-006	15F665	SEAT	1
7	X120-007	15F656	CYLINDER	1
8	X120-008	24B820	DISPLACEMENT ROD	1
9	X120-009	24B817	PISTON VALVE	1
10	X120-010	288065	BALL	1
11	X120-011	244881	GLAND-M	1
12	X120-012	244863	PACKING-V(UHMWPE)	3
13	X120-013	244869	PACKING-V(Leather)	2
14	X120-014	244875	GLAND-F	1
15	X120-015	244393	SEAL	1
16	X120-016	15K029	PACKING NUT	1
17	X120-017	15F661	NUT	1
18	X120-018	288068	PACKING , O-RING	1
19	X120-019	288068	PACKING, O-RING	1
20	2K1-112	2K1-112	HOUSING	1
21	X120-021		PIN	1
22	X120-011	244881	GLAND-M	1
23	X120-012	244863	PACKING-V(UHMWPE)	3
24	X120-013	244869	PACKING-V(Leather)	2
25	X120-014	244875	GLAND-F	1
26	X120-026		TUBE	1
27	X120-027		NIPPLE	1
28	X120-028		NIPPLE	1
29	X120-029		SEAT SPRING	1
30	X120-030		PISTON SPRING	1

**REPAIR KIT No: X441-500**

With 4, 5, 10, 11, 12, 13, 14, 15, 18, 19, 21, 22, 23, 24, 28, 29

# Parts drawing and Parts List

**NX601-100 (64CC)**



**Note : part marked in color are the spare parts**

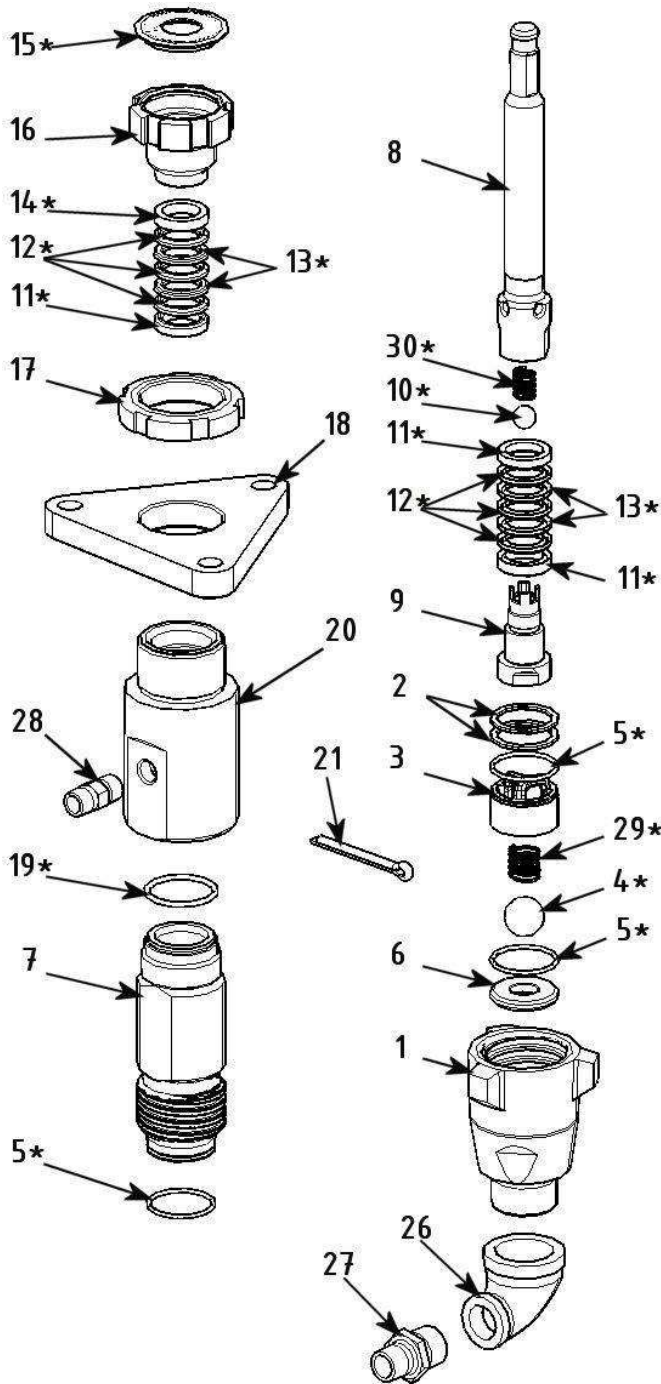
No	D Code	G Code	Description	Qty
1	X120-001	15F667	HOUSING , Inlet	1
2	X120-002	288064	SHIM	2
3	X120-003	16D472	BALL GUIDE	1
4	X120-004	244988	BALL	1
5	X120-005	288068	PACKING ,O-RING	3
6	X120-006	15F665	SEAT	1
7	X160-007	15F682	CYLINDER	1
8	X160-008	24B819	DISPLACEMENT ROD	1
9	X160-009	24B818	PISTON VALVE	1
10	X120-010	288065	BALL	1
11	X160-011	288072	GLAND-M	1
12	X160-012	288080	PACKING-V(UHMWPE)	3
13	X160-013	288081	PACKING-V(Leather)	2
14	X160-014	288071	GLAND-F	1
15	X120-015	247393	SEAL	1
16	X120-016	15K029	PACKING NUT	1
17	X120-017	15F661	NUT	1
18	X120-018	262512	PACKING , O-RING	1
19	X120-019	288067	PACKING, O-RING	1
20	2K1-112		HOUSING	1
21	X120-021	244826	PIN	1
22	X160-022	288070	GLAND-M	1
23	X160-023	288077	PACKING-V(UHMWPE)	3
24	X160-024	288079	PACKING-V(Leather)	2
25	X160-025	288069	GLAND-F	1
26	X120-026		TUBE	1
27	X120-027		NIPPLE	1
28	X120-028		NIPPLE	1
29	X120-029		SEAT SPRING	1
30	X120-030		PISTON SPRING	1

**REPAIR KIT No: X601-500**

With 4, 5, 10, 11, 12, 13, 14, 15, 18, 19, 22, 23, 24, 25, 29, 30

# Parts drawing and Parts List

## N441-100 PUMP (87cc)



Note : part marked in color are the spare parts

No	D Code	Description	Qty
1	X120-001	HOUSING , Inlet	1
2	X120-002	SHIM	2
3	X120-003	BALL GUIDE	1
4	X120-004	BALL(1 1/4")	1
5	X120-005	PACKING ,O-RING	3
6	X120-006	SEAT	1
7	N441-007	CYLINDER	1
8	N441-008	DISPLACEMENT ROD	1
9	X120-009	PISTON VALVE	1
10	X120-010	BALL	1
11	X120-011	GLAND-M	2
12	X120-012	PACKING-V(UHMWPE)	6
13	X120-013	PCAKING-V(Leather)	4
14	X120-014	GLAND-F	2
15	X120-015	SEAL	1
16	X120-016	PACKING NUT	1
17	N441-017	NUT	1
18	N441-018	PLATE	1
19	X120-019	PACKING, O-RING	1
20	N441-020	HOUSING	1
21	X681-021	PIN	1
26	X681-026	TUBE	1
27	X681-027	NIPPLE	1
28	N441-028	NIPPLE	1
29	N441-029	SEAT SPRING	1
30	N441-030	PISTON SPRING	1

REPAIR KIT No: **N441-500**  
With 4, 5, 10, 11, 12, 13, 14, 15, 19, 29, 30

REPAIR KIT No: **N441-501**  
With 4, 5, 10, 11, 13, 14, 15, 19, 29, 30  
No #13 LEATHER v-packing 10EA

REPAIR KIT No: **N441-502**  
With 4, 5, 10, 11, 12, 13, 14, 15, 19, 29, 30  
No #12 UHMWPE v-packing 2EA  
#13 LEATHER v-packing 8EA